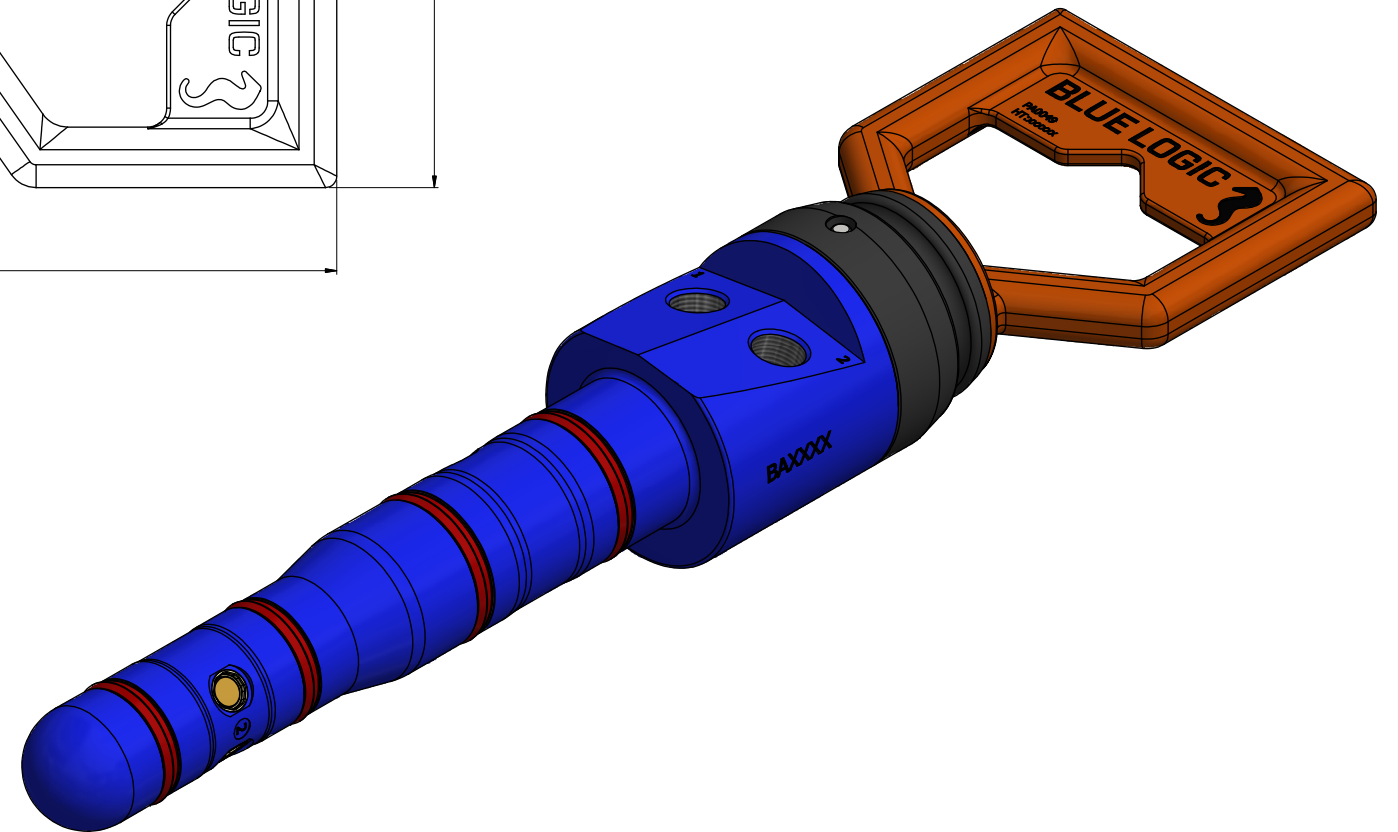
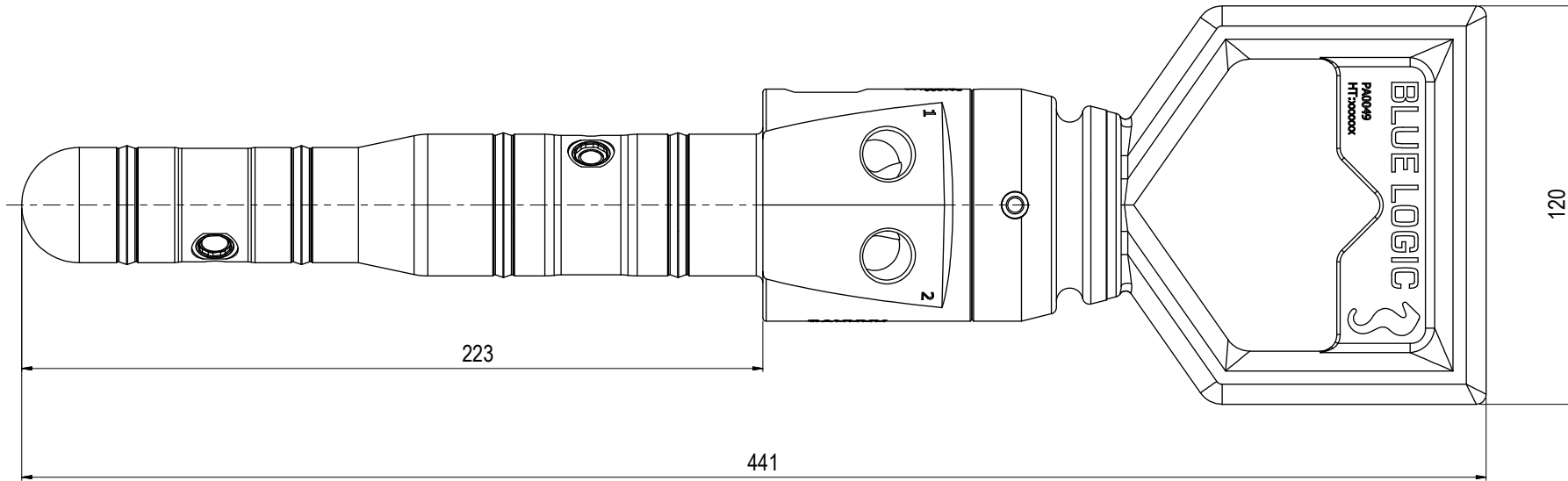
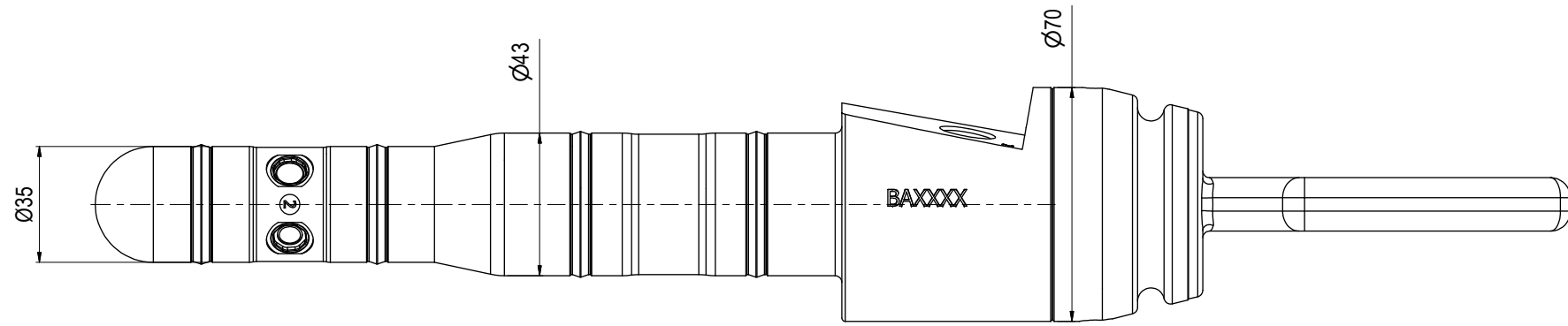


NOTE: 1  
 DESIGN CODE:  
 API 17H Type 2

NOTE: 2  
 TECHNICAL CLASSIFICATION:  
 Article Type: 001-Hot Stabs  
 Main Group: 1.02. Ø35/Ø43 Hot Stab  
 Intermediate Group: 1.3.01. Stab  
 Sub Group: 1.3.9.02. Dual

NOTE: 3  
 INTERFACE INFORMATION:  
 Pressure Rating Bar: 690  
 Material: Intervention  
 Weight: 4,7 kg  
 Volume: 0,68 dm<sup>3</sup>  
 Surface Area: 1303 cm<sup>2</sup>  
 Hydraulic: BSP 3/8"  
 Mechanical: N/A  
 Electrical: N/A  
 Com. & Protocol: N/A

NOTE: 4  
 SPAREPARTS:  
 BA5290



10	13.1.2022	9-IFU (Issued for Use)		WTJ	HNJ	WTJ
09	9.12.2014	9-IFU (Issued for Use)		HNJ	TBA	HNJ
08	7.5.2014	9-IFU (Issued for Use)		WTJ	HNJ	WTJ
07	30.9.2013	7-IFC (Issued for Construction)		HNJ	LAE	HNJ
Rev.	Date	Reason for issue	Revision change	Made	Chk'd	Appr.



Dwg Scale:	NTS
Dwg Proj:	
Dwg Format:	A3

Drawing title:	Ø35/Ø43 DP Stab 10k Interv wCV BSP 3/8"
Drawing number:	BA1282